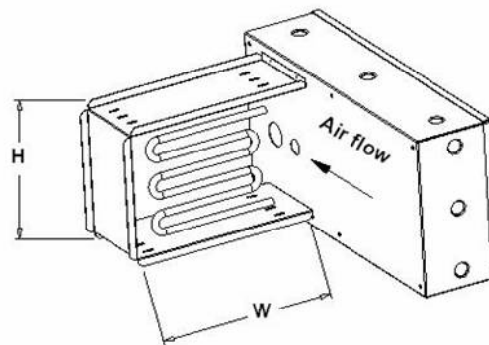


# **BTU ELECTRIC HEATERS**

3640 NE 4th Avenue  
Fort Lauderdale, FL 33334  
Office: 954-566-0043  
Fax: 800-956-0002  
E-mail: [btu@belthermal.com](mailto:btu@belthermal.com)  
Web Site: [www.belthermal.com](http://www.belthermal.com)



## ***QUOTE FORM***

Company Name: \_\_\_\_\_

Address: \_\_\_\_\_ Phone: \_\_\_\_\_

\_\_\_\_\_ Fax: \_\_\_\_\_

Contact Person: \_\_\_\_\_ E-Mail: \_\_\_\_\_

## ***PRODUCT INFORMATION***

### **Duct Size**

Outside Duct Dimension \_\_\_\_\_ Inside (Air Size) \_\_\_\_\_

Vertical Up \_\_\_\_\_ Down \_\_\_\_\_ Horizontal \_\_\_\_\_

Height: \_\_\_\_\_ Width \_\_\_\_\_ CFM \_\_\_\_\_

### **Electrical**

Voltage \_\_\_\_\_ Phase \_\_\_\_\_ Stages \_\_\_\_\_ Control Voltage \_\_\_\_\_

### **Options**

Air Pressure Switch \_\_\_\_\_ SCR \_\_\_\_\_ Control Transformer \_\_\_\_\_

Step Controller \_\_\_\_\_ Mercury Relays \_\_\_\_\_ Unfused Disconnect Switch \_\_\_\_\_

PE Switch \_\_\_\_\_ Duct \_\_\_\_\_ Wall \_\_\_\_\_ Thermostat \_\_\_\_\_

Circuit Fusing under 48 Amps \_\_\_\_\_ Flanged Mount \_\_\_\_\_

**\*Pricing is FOB BTU Plant, Fort Lauderdale, FL**

**\*Price Quote is good for 90 days**

**\*Must have established "open" account with current credit references**